

MOC9048BL



90cm Large Capacity Oven

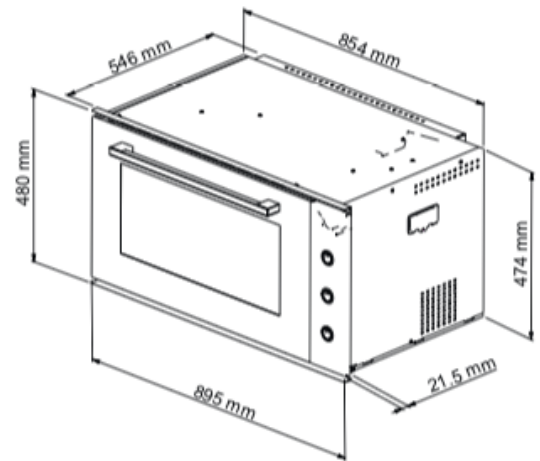
Feature

- Black brushed aluminum frame
- Linear design for pure elegance
- Push pop-out knobs do not accumulate dirt, allowing for easier cleaning of the control panel
- Stainless steel 430 for perfect texture
- The inox surface specifically designed to resist stains, will ensure the kitchen is always effortless clean
- Two interior oven lights illuminate the entire cavity
- A large viewing window they provide a brilliant view of dishes without having to open the oven door



Specification

- 93L capacity
- Product Size(mm): 895 x 568 x 480
- Installation Size(mm): 860 x 550-560 x 475-477
- Carton Size(mm): 980 x 645 x 542
- Net/Gross weight: 48/59.8 kg



Accessories

- Wire rack
- Dripping pan
- Telescopic rails

